

BATTERY SPRAYER

USER MANUAL

Model No. : JP-S20



CONGRATULATIONS!

We trust your Battery Sprayer will bring you many years of satisfaction.

Our company has designed and developed this product with you in mind.

We are very proud of our products and hope that you are equally satisfied with the quality and performance. Thank you for your support in choosing our products.

Operating Instructions

Please read these instructions and warnings carefully before using your Battery Sprayer.

Charge battery completely before and after using the device for maximum performance and battery life.

WARNING: Small parts may cause choking hazard.

IMPORTANT SAFETY INSTRUCTIONS

When you use the Battery Sprayer, basic precautions should always be followed:

1. STUDY THE PRODUCT THOROUGHLY BEFORE OPERATING, BE FAMILIAR WITH ITS OPERATING CONTROLS.
2. DO NOT OPERATE THE PRODUCT WHEN IN DOUBTS OR UNDER THE INFLUENCE OF ALCOHOL OR DRUGS.
3. DO NOT USE THE BATTERY SPRAYER WHEN THE BATTERY PACK IS DAMAGE.
4. DO NOT USE CORROSIVE LIQUID OR ETHYL ALCOHOL WITH THIS DEVICE.

WARNING

TO REDUCE THE RISK OF INJURY:

1. This is NOT a toy. Close attention is necessary when used near children.
2. Use only manufacturer's recommended accessories and replacement parts.
Do not use with damaged cord or plug. Do not use the Battery Sprayer if it is damaged or dropped into water and when it is not working as it should.
3. Do not use device when nozzle clogged; keep free of dust, lint, hair, and anything that may reduce flow or cause clogging.
4. Using improper voltage may result in damage to the motor and possible injury to the user. Proper voltage is listed on the battery's plate.
5. Do not spray water to the device, or put the battery pack & the whole device into water.
6. Do not use corrosive liquid or ethyl alcohol type disinfectant.
7. Do not allow the device to freeze. Always store indoors. Freezing will damage motor.
8. Do not attempt to disassemble the Battery Sprayer.
9. Do not try to use lead to connect two terminals on bottom of main device to the 220V AC or any other power source, it may damage the motor and lead to serious injury.

10. Do not charge the battery overnight.

WORKING PRINCIPLE

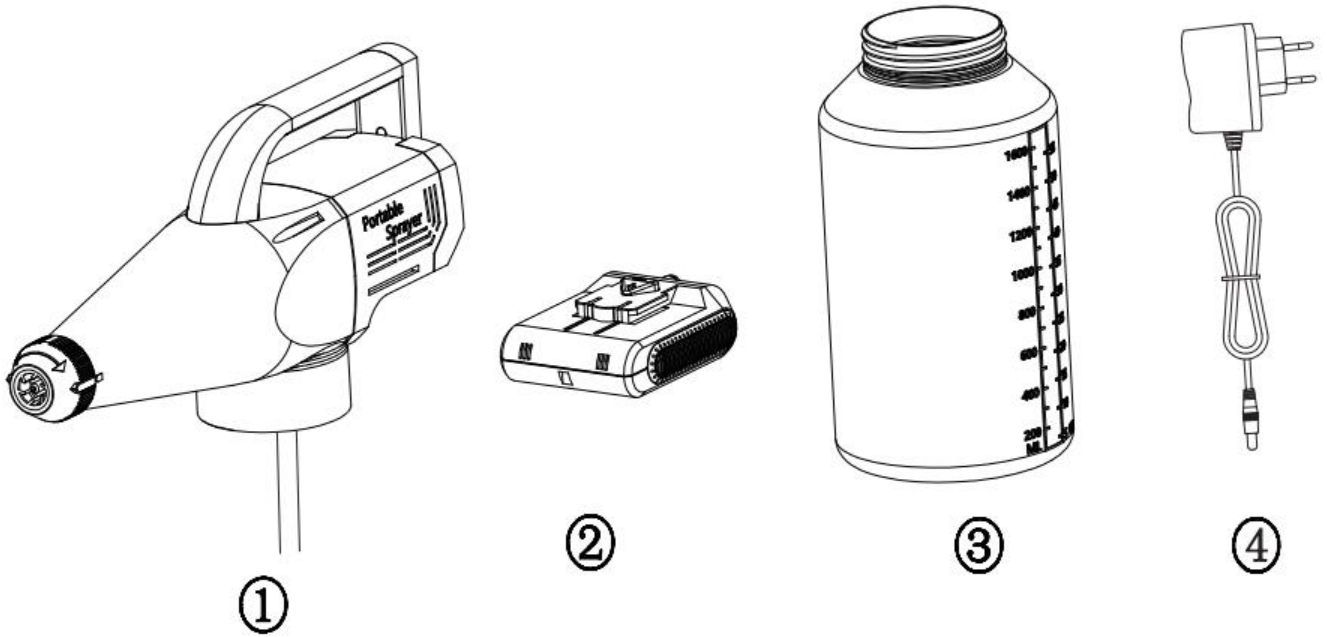
The Battery Sprayer comes with a 129W motor, negative ion generator built inside, 1.8L bottle, 20V rechargeable battery for spraying the disinfectant to help with the virus, it is portable and can create very fine water fog which is perfect for disease prevention for home, garden, indoors & outdoors, public area, hospital, school etc., it is an economical and practical way to apply to disinfection.

Why this Battery Sprayer is recommended to apply to spray disinfectant?

The core of this Battery Sprayer is a specially designed anion generator that continuously produces a high concentration of anions which are negatively charged, most of the dust, particles and bacteria in the air are positively charged, the high concentration of anions created can neutralize positively charged bacteria and particles in the air, so that causes the bacteria & particles lost its charged & increased its weight to settle with the ground after neutralization, combined with the disinfectant solution, the battery sprayer can kill bacteria effectively and easily.



OVERVIEW



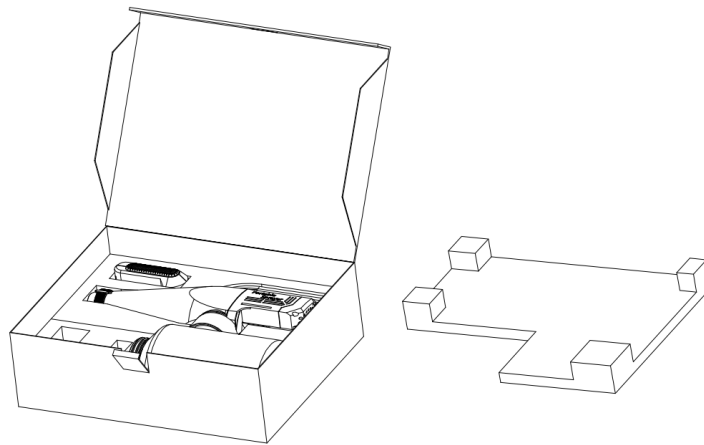
NO.	Part Name	Part No.
1.	Spray Device	S20-QI003-01
2.	Battery Pack	BCP2-00627
3.	1.8L Bottle	SJ5-02080
4.	Mains Charger	*DZ5-00507

SPECIFICATIONS

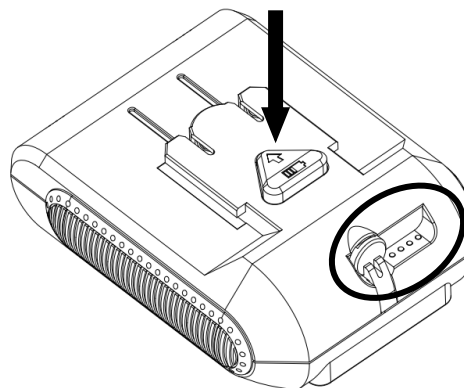
- SIZE: 326X81X150.5MM
- Voltage: 20V (DC)
- Motor Power: 129W
- Current: 6 amps
- Effective range: 3M
- Atomised volume: 70ml/min
- Charger input: AC 100-240V 50hz/60hz
- Charging time: 3.5~4 hours
- Operating time: 25~30 minutes
- Bottle size: 1.8 liters
- Noise level: ~75DB
- NET weight: 1.3KGS

HOW TO OPERATE

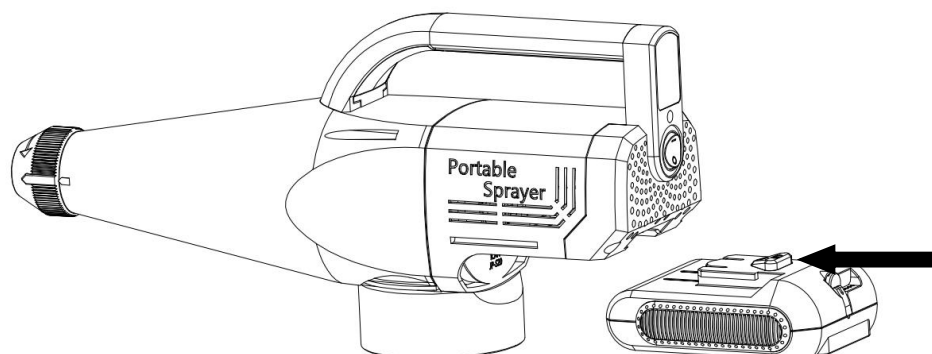
(1) Take the product out of package and check if there are any parts missing or damage before using.



(2) Check the battery gauge by holding the on/off switch on the battery pack, if the battery level is less than 50% (less than 2 LED lights on), please recharge it before using.

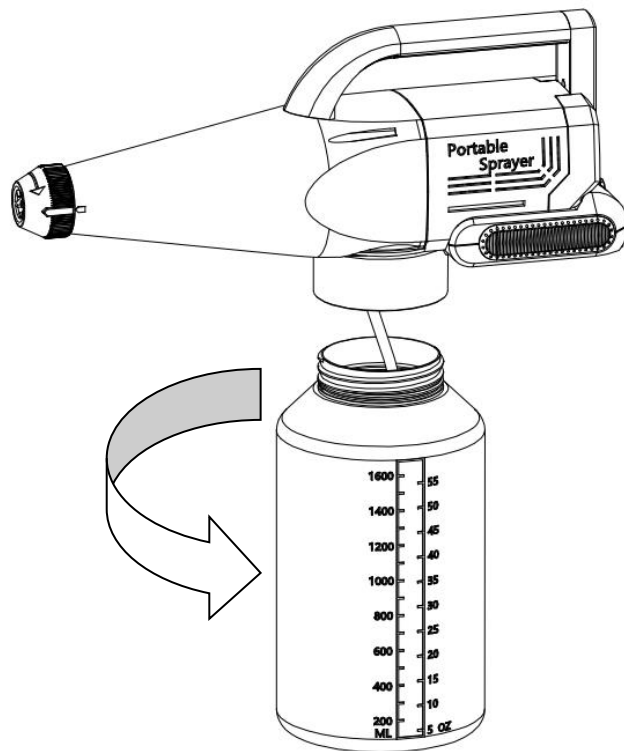


(3) Mount the battery pack onto the bottom of the sprayer.

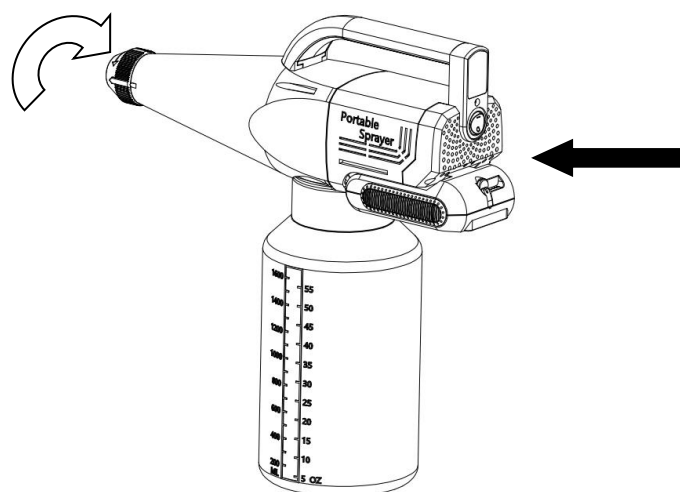


(4) Mix disinfectant or chemical liquids in proportion and fill into the 1.8L bottle, and then screw in the bottle to the sprayer device.

Notes: Do not fill and use the corrosive liquid or ethyl alcohol with this device.



(5) Press the on/off switch on back of sprayer to start the job, the nozzle can be rotating to adjust the angle of spraying.



MAINTENANCE & STORAGE

Your Battery Sprayer should be stored in such a way to protect it from freezing. Do not store this unit outdoors or on an area where temperatures will fall below 0°C (32°F). This can cause extensive damage to the unit and void the warranty. After each time of use and before storage, the following steps should be followed,

- 1) After each time of use and before long term storage, fill some clean water into the bottle to run with the sprayer to clean the residual disinfectant or chemicals inside the sprayer.
- 2) Store in cool, dry place away from children. Wipe clean with a damp cloth as needed. Do not immerse sprayer device in water.
- 3) Remove the battery pack from the sprayer and recharge it in due time.

FOR BATTERY:

- Do not store the battery in elevated temperature for an extended period of time.
- Do not put the battery with sharp and fine metal wire or pin, these materials may touch both terminals of the battery and cause it short circuit then lead a burnout or explosion.
- Store the battery in a dry, cool and well-ventilated place, protect from direct exposure sunlight.
- The battery must be stored in a partial state-of-charge, ideally 40-50% (2 LED lights on), recommended temperature 0°C ~25°C, if it is not regular use, be sure to charge the battery to approx 50% SOC instead of fully charged at least every 3 months.
- To charge the battery, make sure use the original mains charger included in the package. Use different charger or improper voltage may lead to failure such as burn out the battery or may cause serious injury.

DISPOSAL

Electrical and electronic devices must never be disposed of in a regular household waste!!



Consumers are legally obligated and responsible for the proper disposal of electronic and electrical devices by returning them to collecting sites designated for the recycling of electrical and electronic equipment waste.

For more information concerning disposal sites, please contact your local authority or waste management company.